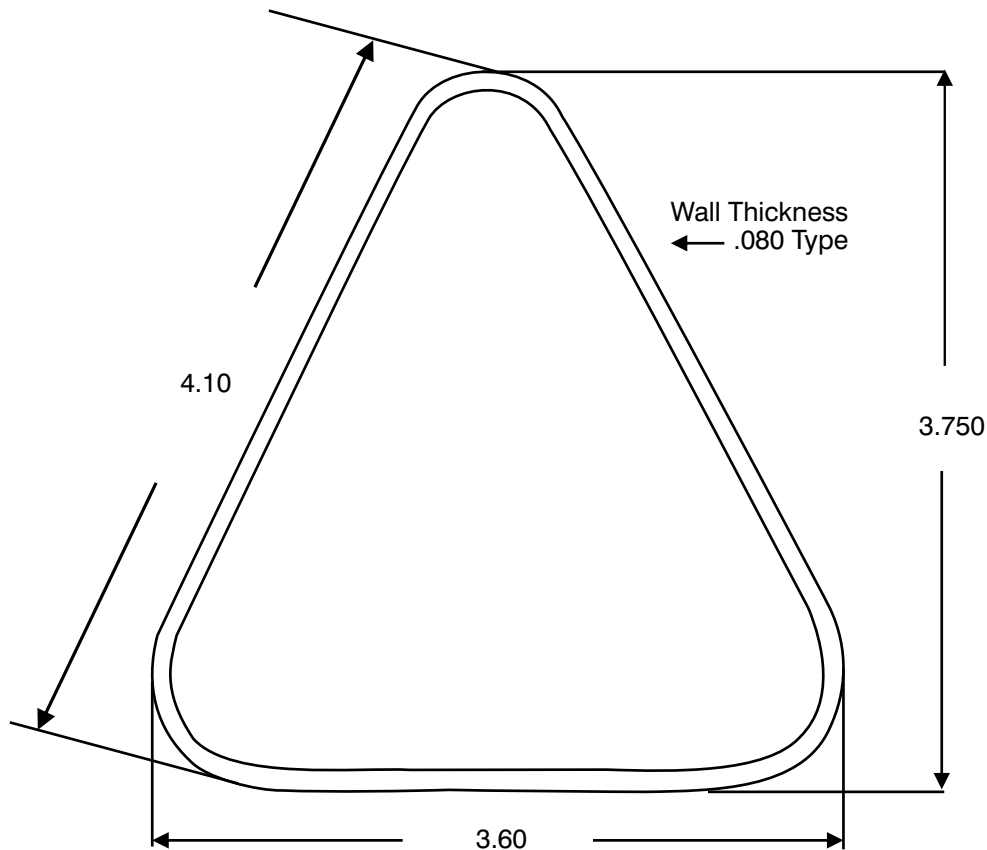




Profile Drawings

TriView 400™

NOTE: When printing this PDF document, make sure that "Page Scaling" is set to "None" under the Adobe Acrobat or Adobe Reader "Print" menu.



Rhino REPNET, Inc. 1204 W. 96th St., Bloomington, MN 55431
Phone: 800-522-4343 - Fax: 888-522-4343

Do Not Scale Drawings

PART: TriView 400™	PATH:
DRAWING NO: 1	SCALE: 1 = 1
MATERIAL: Polypropylene	DRAWN BY: C. Beck
DATE: 5/22/08	APPROVED BY:

This drawing is the property of REPNET, Inc. and must be accounted for. Information herein is confidential and must not be reproduced, revealed to unauthorized persons or used for any other purpose detrimental to the interests of REPNET, Inc. REPNET warrants that its material will meet or exceed their published specifications. The customer is responsible for determining that REPNET's material fulfills the requirements of customer's design for its product.

TV400_DRAW • 5-22-08